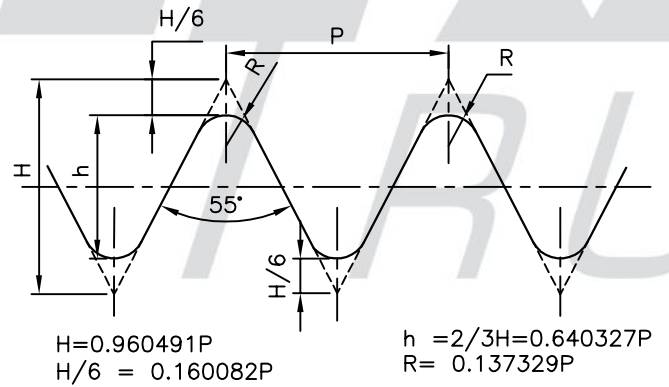
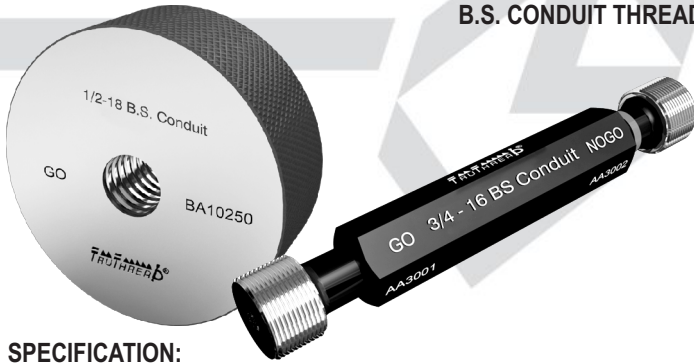


B.S. CONDUIT THREADS

Application : Used for checking threads of electrical conduit pipes used for wiring.

B.S. CONDUIT THREAD PROFILE



SPECIFICATION:

Basic Dimensions & Gauging Practice: B.S. 31 – 1940

MANUFACTURING RANGE

Specification recommends Threaded GO & Plain Nogo

Pipe Diameter (Inch)	TPI	Type of Thread Gauges used			
		Thread Plug Gauges	Thread Ring Gauges	Check Plug Gauges to check NEW Ring Gauges.	Wear Check Plug Gauges to check/ Calibrate used Ring Gauges.
1/2, 5/8	18				
3/4, 1, 1.1/4	16				
1.1/2, 2, 2.1/2	14				