

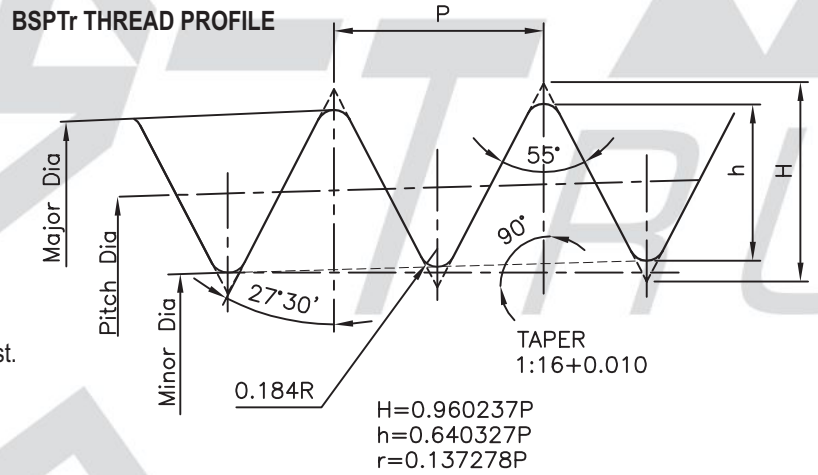
BRITISH STANDARD PIPE TAPER THREADS (BSPT_r)

Application : Used for fastening of pipe threads where, pressure tight joints are required on threads.

SPECIFICATION :
BS Standard: BS 21-1985.

Indian Standard: * Basic Dimensions: IS 554-1975,
* Gauging Practice: IS 8999 - 1979

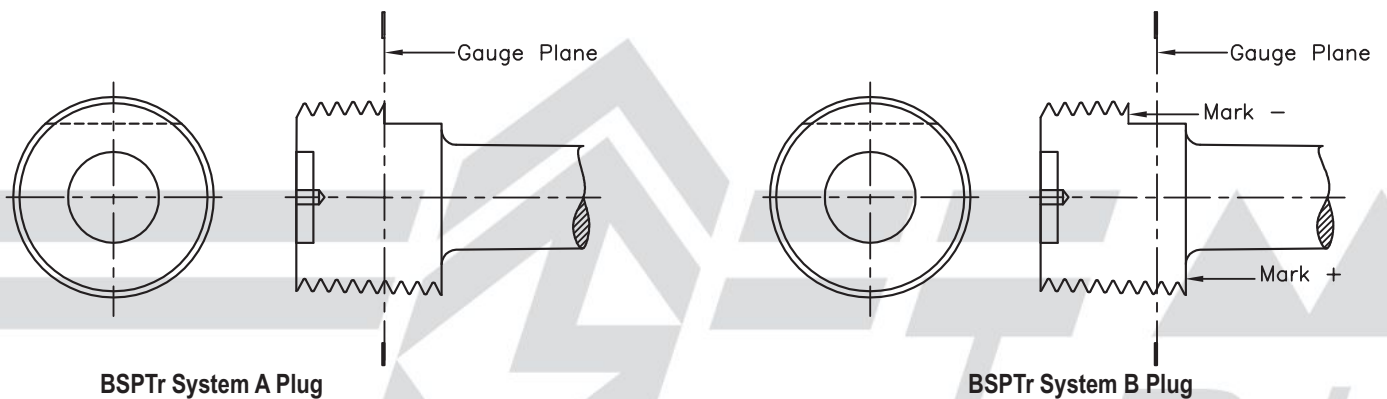
* These specifications are replaced first by ISO 7/2-1984 & later on by ISO 7/2-2000. As these gauges are still used in industry, we manufacture these based on specific customer request.



MANUFACTURING RANGE.

Diameter (Inch)	TPI	Type of Gauges			
1/16, & 1/8	28	Thread Plug Gauges	Thread Ring Gauges	Check Plug to check NEW Rings	Wear Check Plug Gauges to check/ calibrate used Rings.
1/4 & 3/8	19	System A. & System B.	System A & System B	System A & System B	System A & System B
1/2 & 3/4	14				
1, 1.1/4, 1.1/2, 2, 2.1/2, 3	11				
4, 5, 6					

Specification recommends,
To check Internal Taper Threads -
Taper Thread Plug either System 'A' OR System 'B'



To check external Taper Threads.
Taper Ring Gauges either System 'A' OR System 'B'

