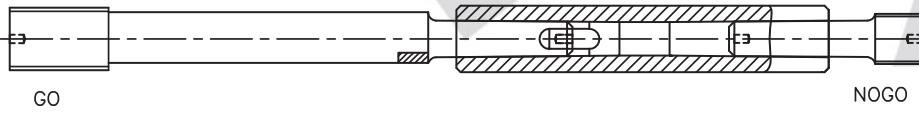


# CUSTOMISED SOLUTIONS FOR GAUGING

We can design & offer Thread Gauging solutions for special requirements like,

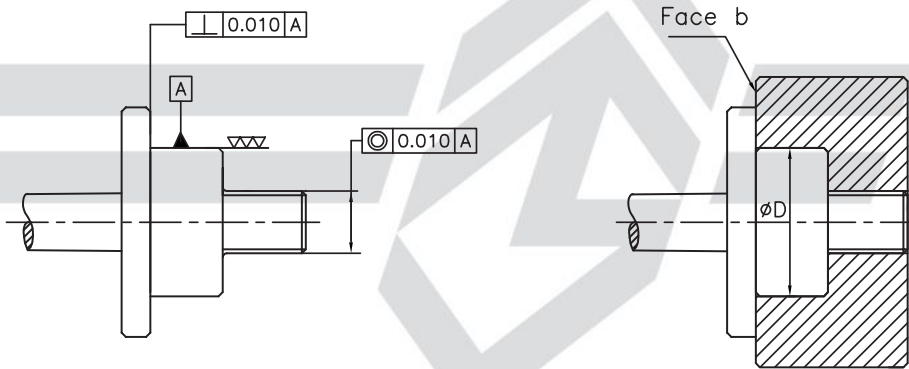
- To check the Thread Depth of a Tapped Hole.
- To check the squareness of faces with respect to Threads.
- To check the concentricity of Plain bore with respect to Threads.
- Any other requirement, Please send your component drawing.

## 1. Depth checking Gauge.



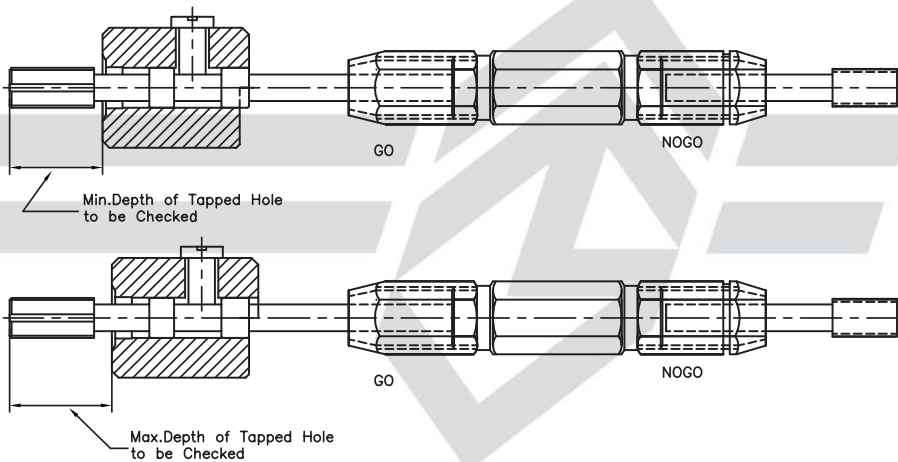
Step provided on Go member to check depth of Tapped Hole

## 2. Concentricity & Squareness Checking Gauge.



Gauge checks Concentricity of Diameter 'D' of plain Bore / Hole w.r.t. to threads & squareness of Face 'b' of component w.r.t threads.

## 3. Depth Checking Gauge.



This document is not for public distribution and has been furnished to you solely for your information and must not be reproduced or redistributed partially or fully. We have taken care to ensure correctness of this document, but the accuracy can not be legally guaranteed. The user of this document should rely on their own information before taking decision.

\* Protected by Copy right \*

- If you note any error in this Document OR want to send your feedback / suggestions for improvement, You can email to- [atul@truthread.com](mailto:atul@truthread.com)

