

# METRIC BUTTRESS / SAW TOOTH THREAD SERIES

Application: Similar to Buttress Threads. Metric buttress or saw tooth dimensions are in metric system, instead of Imperial system.

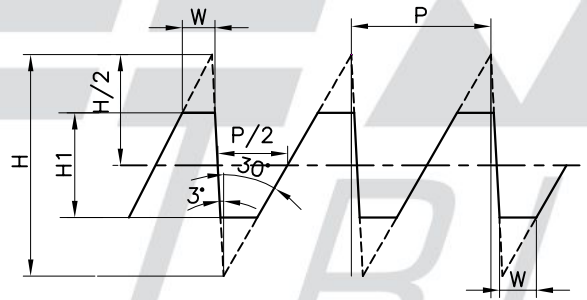
## METRIC BUTTRESS/ SAW TOOTH 3°/30° THREAD PROFILE

$$H = 1.5878P$$

$$H_1 = 0.75P$$

$$H/2 = 0.7939P$$

$$W = 0.26384P$$



### SPECIFICATION:

DIN 513 – 1985 / I.S. 4696 – 2004.

### MANUFACTURING RANGE

Gauge Type	Diameter Range (MM)	Pitch in mm.	Tolerance Class
Thread Plug Gauges.	10 -355	2, 3, 4, 5, 6, 7, 8, 9, 10, 12	7H, 8H, 9H,
Thread Ring Gauges.	10 -285	Pitches not covered here can be supplied based If requested by customer	6e*, 7e, 8e, 9e & 6c*, 7c, 8c & 9c * 6e & 6c are not preferred tolerance classes.
Check Plug Gauges			
Wear Check Plug Gauges			

### \* Selection of Tolerance Class

Tolerance class	Thread Plugs gauges		Thread Ring, Check Plug & Wear Check Plugs	
	Thread Engagement Type			
	Normal	Long	Normal	Long
Medium	7H	8H	7e	8e
Coarse	8H	9H	8c	9c