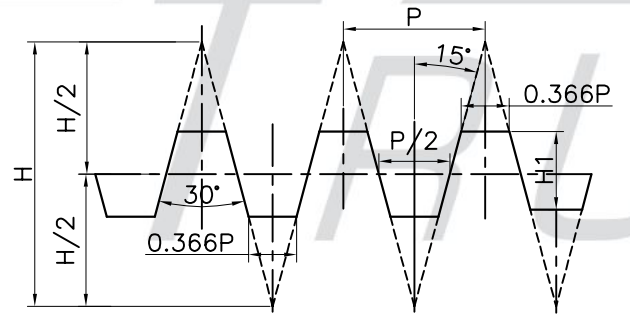


TRAPEZOIDAL THREADS

Application : Used for translation motion in machine tools like lead screws, where rapid movement is required or in screw jacks, where load to be shared is more.

TRAPEZOIDAL THREAD PROFILE



$$H = 1.866P$$

$$H/2 = 0.933P$$

$$H_4 = h_3 = H_1 + a_c$$

$$H_1 = 0.5P$$

$$\text{ANGLE} = 30^\circ$$

SPECIFICATIONS:

IS Standard: Basic Dimensions: IS 7008 – 1988 & ISO 7008 (4)-1999.
Gauging Practice: DIN 103- 1985.

ISO Standard: Basic Dimensions: ISO 2903 – 1993, ISO 2904-1977
Gauging Practice: DIN 103-(9) 1985.

MANUFACTURING RANGE

Gauge Type	Diameter Range(MM)	Pitches in mm	Tolerance Class
Thread Plug Gauges.	8 - 355	1.5, 2, 3, 4, 5, 6, 7, 8, 10, 12 Pitches not covered here can be supplied if customer requests	As given in below Table
Thread Ring Gauges.	8 -285	1.5, 2, 3, 4, 5, 6, 7, 8, 10, 12 Pitches not covered here can be supplied if customer requests	As given in below Table
Plain Plugs to check Minor Diameter of Internal Threads	8- 285		
Plain Rings to check Major Diameter of External Threads.	8-285		
Check Plug Gauges	To check NEW Go & Nogo Ring Gauges as given above.		
Wear Check Plug Gauges	To check / calibrate USED Go & Nogo Ring Gauges as given above.		
Check Ring Gauges	To check NEW Go & Nogo Plug Gauges as given above.		
Wear Check Ring Gauges	To check / calibrate USED Go & Nogo Plug Gauges as given above.		

TRAPEZOIDAL GAUGES FOR PVC PIPE AS PER IS 12818 – 1992, for sizes DN 100, DN 125, DN 150, DN 175 & DN 200, can be supplied.

TOLERANCE CLASS

	Tolerance classes for Internal Threads (Plug Gauges)		Tolerance classes for External Threads (Ring Gauges)			
	Tolerance position 'H'		Tolerance position 'e'		Tolerance position 'c'	
	N	L	N	L	N	L
Medium	7H	8H	7e	8e	-	-
Coarse	8H	9H			8c	9c