

DIMENSIONS OF ISO METRIC THREADS : COMPONENT



Note : All Dimensions are in MM		INTERNAL THREADS 6H					EXTERNAL THREADS 6g					
NORMAL Ø	PITCH P	MAJOR Ø D MIN	PITCH Ø D2		MINOR Ø D1		MAJOR Ø d		PITCH Ø d2		MINOR Ø d1	
			MIN	MAX	MIN	MAX	MAX	MIN	MAX	MIN	MIN	MAX
*1	0.25	1.000	0.838	0.894	0.729	0.785	1.000	0.933	0.838	0.785	0.729	
	0.2	1.000	0.870	0.920	0.783	0.831	1.000	0.944	0.870	0.822	0.783	
*1.1	0.25	1.100	0.938	0.994	0.829	0.885	1.100	1.033	0.938	0.885	0.829	
	0.2	1.100	0.970	1.020	0.883	0.931	1.100	1.044	0.970	0.922	0.883	
*1.2	0.25	1.200	1.038	1.094	0.929	0.985	1.200	1.133	1.038	0.985	0.929	
	0.2	1.200	1.070	1.120	0.983	1.031	1.200	1.144	1.070	1.022	0.983	
*1.4	0.3	1.400	1.205	1.265	1.075	1.142	1.400	1.325	1.205	1.149	1.075	
	0.2	1.400	1.270	1.320	1.183	1.231	1.400	1.344	1.270	1.222	1.183	
1.6	0.35	1.600	1.373	1.458	1.221	1.321	1.581	1.496	1.354	1.291	1.202	
	0.2	1.600	1.470	1.536	1.383	1.443	1.583	1.527	1.453	1.403	1.366	
1.8	0.35	1.800	1.573	1.658	1.421	1.521	1.781	1.696	1.554	1.491	1.402	
	0.2	1.800	1.670	1.736	1.583	1.643	1.783	1.727	1.653	1.603	1.566	
2	0.4	2.000	1.740	1.830	1.567	1.679	1.981	1.886	1.721	1.654	1.548	
	0.25	2.000	1.838	1.912	1.729	1.802	1.982	1.915	1.820	1.764	1.711	
2.2	0.45	2.200	1.908	2.003	1.713	1.838	2.180	2.080	1.888	1.817	1.693	
	0.25	2.200	2.038	2.112	1.929	2.002	2.182	2.115	1.020	1.964	1.911	
2.5	0.45	2.500	2.208	2.303	2.013	2.138	2.480	2.380	2.188	2.117	1.993	
	0.35	2.500	2.273	2.358	2.121	2.221	2.481	2.396	2.254	2.191	2.102	
3	0.5	3.000	2.675	2.775	2.459	2.599	2.980	2.874	2.655	2.580	2.439	
	0.35	3.000	2.773	2.861	2.621	2.721	2.981	2.896	2.754	2.687	2.602	
3.5	0.6	3.500	3.110	3.222	2.850	3.010	3.479	3.354	3.089	3.004	2.829	
	0.35	3.500	3.273	3.361	3.121	3.221	3.481	3.396	3.254	3.187	3.102	
4	0.7	4.000	3.545	3.663	3.424	3.422	3.978	3.838	3.523	3.433	3.220	
	0.5	4.000	3.675	3.775	3.459	3.599	3.980	3.874	3.655	3.580	3.439	
4.5	0.75	4.500	4.013	4.131	3.688	3.878	4.478	4.338	3.991	3.901	3.666	
	0.5	4.500	4.175	4.275	3.959	4.099	4.480	4.374	4.155	4.080	3.939	
5	0.8	5.000	4.480	4.605	4.134	4.334	4.976	4.826	4.456	4.361	4.110	
	0.5	5.000	4.675	4.775	4.459	4.599	4.980	4.874	4.655	4.580	4.439	
5.5	0.5	5.500	5.175	5.275	4.959	5.099	5.480	5.374	5.155	5.080	4.939	
6	1	6.000	5.350	5.500	4.917	5.153	5.974	5.794	5.324	5.212	4.891	
	0.75	6.000	5.513	5.645	5.188	5.378	5.978	5.838	5.491	5.391	5.166	
7	1	7.000	6.350	6.500	5.917	6.153	6.974	6.794	6.324	6.212	5.891	
	0.75	7.000	6.513	6.645	6.188	6.378	6.978	6.838	6.491	6.391	6.166	
8	1.25	8.000	7.188	7.348	6.647	6.912	7.972	7.760	7.160	7.042	6.619	
	1	8.000	7.350	7.500	6.917	7.153	7.974	7.794	7.324	7.212	6.891	
	0.75	8.000	7.513	7.645	7.188	7.378	7.978	7.838	7.491	7.391	7.166	
9	1.25	9.000	8.188	8.348	7.647	7.912	8.972	8.760	8.160	8.042	7.619	
	1	9.000	8.350	8.500	7.917	8.153	8.974	8.794	8.324	8.212	7.891	
	0.75	9.000	8.513	8.645	8.188	8.378	8.978	8.838	8.491	8.391	8.166	
10	1.5	10.000	9.026	9.206	8.376	8.676	9.968	9.732	8.994	8.862	8.344	
	1.25	10.000	9.188	9.348	8.647	8.912	9.972	9.760	9.160	9.042	8.619	
	1	10.000	9.350	9.500	8.917	9.153	9.974	9.794	9.324	9.212	8.891	
	0.75	10.000	9.513	9.645	9.188	9.378	9.978	9.838	9.491	9.391	9.166	

* The tabulated values for M1.4 & smaller, corresponds to Fine / Close tolerance i.e '5H' for Internal threads & '6h' for External threads.

DIMENSIONS OF ISO METRIC THREADS : COMPONENT



Note : All Dimensions are in MM		INTERNAL THREADS 6H					EXTERNAL THREADS 6g					
NORMAL Ø	PITCH P	MAJOR Ø D MIN	PITCH Ø D2		MINOR Ø D1		MAJOR Ø d		PITCH Ø d2		MINOR Ø d1	
			MIN	MAX	MIN	MAX	MAX	MIN	MAX	MIN	MIN	MAX
11	1.5	11.000	10.026	10.206	9.376	9.676	10.968	10.732	9.994	9.862	9.344	
	1	11.000	10.350	10.500	9.917	10.153	10.974	10.794	10.324	10.212	9.891	
	0.75	11.000	10.513	10.645	10.188	10.378	10.978	10.838	10.491	10.391	10.166	
12	1.75	12.000	10.863	11.063	10.106	10.441	11.966	11.701	10.829	10.679	10.072	
	1.5	12.000	11.026	11.216	10.376	10.676	11.968	11.732	10.994	10.854	10.344	
	1.25	12.000	11.188	11.368	10.647	10.912	11.972	11.760	11.160	11.028	10.619	
	1	12.000	11.350	11.510	10.917	11.153	11.974	11.794	11.324	11.206	10.891	
14	2	14.000	12.701	12.913	11.835	12.210	13.962	13.682	12.663	12.503	11.797	
	1.5	14.000	13.026	13.216	12.376	12.676	13.968	13.732	12.994	12.854	12.344	
	1.25	14.000	13.188	13.368	12.647	12.912	13.972	13.760	13.160	13.028	12.619	
	1	14.000	13.350	13.510	12.917	13.153	13.974	13.794	13.324	13.206	12.891	
15	1.5	15.000	14.026	14.216	13.376	13.676	14.968	14.732	13.994	13.854	13.344	
	1	15.000	14.350	14.510	13.917	14.153	14.974	14.794	14.324	14.206	13.891	
16	2	16.000	14.701	14.913	13.835	14.210	15.962	15.682	14.663	14.503	13.797	
	1.5	16.000	15.026	15.216	14.376	14.676	15.968	15.732	14.994	14.854	14.344	
	1	16.000	15.350	15.510	14.917	15.153	15.974	15.794	15.324	15.206	14.891	
17	1.5	17.000	16.026	16.216	15.376	15.676	16.968	16.732	15.994	15.854	15.344	
	1	17.000	16.350	16.510	15.917	16.153	16.974	16.794	16.324	16.206	15.891	
18	2.5	18.000	16.376	16.600	15.294	15.744	17.958	17.623	16.334	16.164	15.252	
	2	18.000	16.701	16.913	15.835	16.210	17.962	17.682	16.663	16.503	15.797	
	1.5	18.000	17.026	17.216	16.376	16.676	17.968	17.732	16.994	16.854	16.344	
	1	18.000	17.350	17.510	16.917	17.153	17.974	17.794	17.324	17.206	16.891	
20	2.5	20.000	18.376	18.600	17.294	17.744	19.958	19.623	18.334	18.164	17.252	
	2	20.000	18.701	18.913	17.835	18.210	19.962	19.682	18.663	18.503	17.797	
	1.5	20.000	19.026	19.216	18.376	18.676	19.968	19.732	18.994	18.854	18.344	
	1	20.000	19.350	19.510	18.917	19.153	19.974	19.794	19.324	19.206	18.891	
22	2.5	22.000	20.376	20.600	19.294	19.744	21.958	21.623	20.334	20.164	19.252	
	2	22.000	20.701	20.913	19.835	20.210	21.962	21.682	20.663	20.503	19.797	
	1.5	22.000	21.026	21.216	20.376	20.676	21.968	21.732	20.994	20.854	20.344	
	1	22.000	21.350	21.510	20.917	21.153	21.974	21.794	21.324	21.206	20.891	
24	3	24.000	22.051	22.316	20.752	21.252	23.952	23.577	22.003	21.803	20.704	
	2	24.000	22.701	22.925	21.835	22.210	23.962	23.682	22.663	22.493	21.797	
	1.5	24.000	23.026	23.226	22.376	22.676	23.968	23.732	22.994	22.844	22.344	
	1	24.000	23.350	23.520	22.917	23.153	23.974	23.794	23.324	23.199	22.891	
25	2	25.000	23.701	23.925	22.835	23.210	24.962	24.682	23.663	23.493	22.797	
	1.5	25.000	24.026	24.226	23.376	23.676	24.968	24.732	23.994	23.844	23.344	
	1	25.000	24.350	24.520	23.917	24.153	24.974	24.794	23.324	24.199	24.891	
26	1.5	26.000	25.026	25.226	24.376	24.676	25.968	25.732	24.994	24.844	24.344	
27	3	27.000	25.051	25.316	23.752	24.252	26.952	26.577	25.003	24.803	23.704	
	2	27.000	25.701	25.925	24.835	25.210	26.962	26.682	25.663	25.494	24.797	
	1.5	27.000	26.026	26.226	25.376	25.676	26.968	26.732	25.994	25.844	25.344	
	1	27.000	26.350	26.520	25.917	26.153	26.974	26.794	26.324	26.199	25.891	
28	2	28.000	26.701	26.925	25.835	26.210	27.962	27.682	26.663	26.493	25.797	
	1.5	28.000	27.026	27.226	26.376	26.676	27.968	27.732	26.994	26.844	26.344	
	1	28.000	27.350	27.520	26.917	27.153	27.974	27.794	27.324	27.199	26.891	
30	3.5	30.000	27.727	28.007	26.211	26.771	29.947	29.522	27.674	27.462	26.158	
	3	30.000	28.051	28.316	26.752	27.252	29.952	29.577	28.003	27.803	26.704	
	2	30.000	28.701	28.925	27.835	28.210	29.962	29.682	28.663	28.493	27.797	

DIMENSIONS OF ISO METRIC THREADS : COMPONENT



Note : All Dimensions are in MM		INTERNAL THREADS 6H					EXTERNAL THREADS 6g					
NORMAL Ø	PITCH P	MAJOR Ø D MIN	PITCH Ø D2		MINOR Ø D1		MAJOR Ø d		PITCH Ø d2		MINOR Ø d1	
			MIN	MAX	MIN	MAX	MAX	MIN	MAX	MIN	MIN	MAX
32	2	32.000	30.701	30.925	29.835	30.210	31.962	31.682	30.663	30.493	29.797	
	1.5	32.000	31.026	31.226	30.376	30.676	31.968	31.732	30.994	30.844	30.344	
33	3.5	33.000	30.727	31.007	29.211	29.771	32.947	32.522	30.674	30.462	29.158	
	3	33.000	31.051	31.316	29.752	30.252	32.952	32.577	31.003	30.803	29.704	
	2	33.000	31.701	31.925	30.835	31.210	32.962	32.682	31.663	31.493	30.797	
	1.5	33.000	32.026	32.226	31.376	31.676	32.968	32.732	31.994	31.844	31.344	
35	1.5	35.000	34.026	34.226	33.376	33.676	34.968	34.732	33.994	33.844	33.344	
36	4	36.000	33.402	33.702	31.670	32.270	35.940	35.465	33.342	33.118	31.610	
	3	36.000	34.051	34.316	32.752	33.252	35.952	35.577	34.003	33.803	32.704	
	2	36.000	34.701	34.925	33.835	34.210	35.962	35.682	34.663	34.493	33.797	
	1.5	36.000	35.026	35.226	34.376	34.676	35.968	35.732	34.994	34.844	34.344	
38	1.5	38.000	37.026	37.226	36.376	36.676	37.968	37.732	36.994	36.844	36.344	
39	4	39.000	36.402	36.702	34.670	35.270	38.940	38.465	36.342	36.118	34.610	
	3	39.000	37.051	37.316	35.752	36.252	38.952	38.577	37.003	36.803	35.704	
	2	39.000	37.701	37.925	36.835	37.210	38.962	38.682	37.663	37.493	36.797	
	1.5	39.000	38.026	38.226	37.376	37.676	38.968	38.732	37.994	37.844	37.344	
40	3	40.000	38.051	38.316	36.752	37.252	39.952	39.577	38.003	37.803	36.704	
	2	40.000	38.701	38.925	37.835	38.210	39.962	39.682	38.663	38.493	37.797	
	1.5	40.000	39.026	39.226	38.376	38.676	39.968	39.732	38.994	38.844	38.344	
42	4.5	42.000	39.077	39.392	37.129	37.799	41.937	41.437	39.014	38.778	37.066	
	4	42.000	39.402	39.702	37.670	38.270	41.940	41.465	39.342	39.118	37.610	
	3	42.000	40.051	40.316	38.752	39.252	41.952	41.577	40.003	39.803	38.704	
	2	42.000	40.701	40.925	39.835	40.210	41.962	41.682	40.663	40.493	39.797	
	1.5	42.000	41.026	41.226	40.376	40.676	41.968	41.732	40.994	40.844	40.344	
45	4.5	45.000	42.077	42.392	40.129	40.799	44.937	44.437	42.014	41.778	40.066	
	4	45.000	42.402	42.702	40.670	41.270	44.940	44.465	42.342	42.118	40.610	
	3	45.000	43.051	43.316	41.752	42.252	44.952	44.577	43.003	42.803	41.704	
	2	45.000	43.701	43.925	42.835	43.210	44.962	44.682	43.463	43.293	41.797	
	1.5	45.000	44.026	44.226	43.376	43.676	44.968	44.732	43.994	43.844	43.344	
48	5	48.000	44.752	45.087	42.587	43.297	47.929	47.399	44.681	44.431	42.516	
	4	48.000	45.402	45.717	43.670	44.270	47.940	47.465	45.342	45.106	43.610	
	3	48.000	46.051	46.331	44.752	45.252	47.952	47.577	46.003	45.791	44.704	
	2	48.000	46.701	46.937	45.835	46.210	47.962	47.682	46.663	46.483	45.797	
	1.5	48.000	47.026	47.238	46.376	46.676	47.968	47.732	46.994	46.834	46.344	
50	3	50.000	48.051	48.331	46.752	47.252	49.952	49.577	48.003	47.791	46.704	
	2	50.000	48.701	48.937	47.835	48.210	49.962	49.682	48.663	48.483	47.797	
	1.5	50.000	49.026	49.238	48.376	48.676	49.968	49.732	48.994	48.834	48.344	
52	5	52.000	48.752	49.087	46.587	47.297	51.929	51.399	48.681	48.431	46.516	
	4	52.000	49.402	49.717	47.670	48.270	51.940	51.465	49.342	49.106	47.610	
	3	52.000	50.051	50.331	48.752	49.252	51.952	51.577	50.003	49.791	48.704	
	2	52.000	50.701	50.937	49.835	50.210	51.962	51.682	50.663	50.483	49.797	
	1.5	52.000	51.026	51.238	50.376	50.676	51.968	51.732	50.994	50.834	50.344	
55	4	55.000	52.402	52.717	50.670	51.270	54.940	54.465	52.342	52.106	50.610	
	3	55.000	53.051	53.331	51.752	52.252	54.952	54.577	53.003	52.791	51.704	
	2	55.000	53.701	53.937	52.835	53.210	54.962	54.682	53.663	53.483	52.797	
	1.5	55.000	54.026	54.238	53.376	53.676	54.968	54.732	53.994	53.834	53.344	
56	5.5	56.000	52.428	52.783	50.046	50.796	55.925	55.365	52.353	52.088	49.971	
	4	56.000	53.402	53.717	51.670	52.270	55.940	55.465	53.342	53.106	51.610	
	3	56.000	54.051	54.331	52.752	53.252	55.952	55.577	54.003	53.791	52.704	

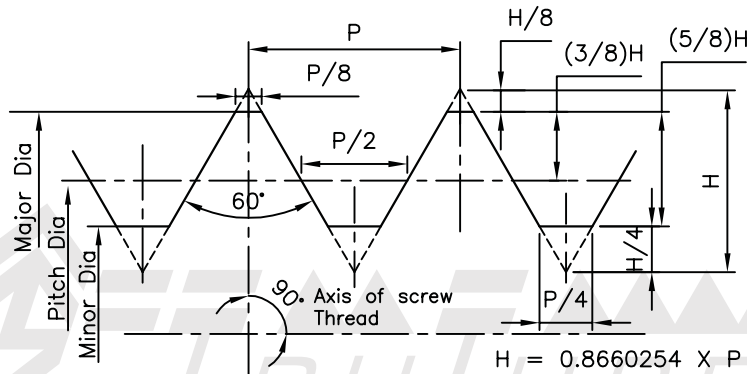
DIMENSIONS OF ISO METRIC THREADS : COMPONENT



Note : All Dimensions are in MM		INTERNAL THREADS 6H					EXTERNAL THREADS 6g				
NORMAL Ø	PITCH P	MAJOR Ø D MIN	PITCH Ø D2		MINOR Ø D1		MAJOR Ø d		PITCH Ø d2		MINOR Ø d1 MIN MAX
			MIN	MAX	MIN	MAX	MAX	MIN	MAX	MIN	
58	4	58.000	55.402	55.717	53.670	54.270	57.940	57.465	55.342	55.106	53.610
	3	58.000	56.051	56.331	54.752	55.252	57.952	57.577	56.003	55.791	54.704
	2	58.000	56.701	56.937	55.835	56.210	57.962	57.682	56.663	56.483	55.797
	1.5	58.000	57.026	57.238	56.376	56.676	57.968	57.732	56.994	56.834	56.344
60	5.5	60.000	56.428	56.783	54.046	54.796	59.925	59.365	56.353	56.088	53.971
	4	60.000	57.402	57.717	55.670	56.270	59.940	59.465	57.342	57.106	55.610
	3	60.000	58.051	58.331	58.752	57.252	59.952	59.577	58.003	57.791	56.704
	2	60.000	58.701	58.937	59.835	58.210	59.962	59.682	58.663	58.483	57.797
	1.5	60.000	59.026	57.238	60.376	58.676	59.968	59.732	58.994	58.834	58.344
62	4	62.000	59.402	59.717	57.670	58.270	61.940	61.465	59.342	59.106	57.610
	3	62.000	60.051	60.331	58.752	59.252	61.952	61.577	60.003	59.791	58.704
	2	62.000	60.701	60.937	59.835	60.210	61.962	61.682	60.663	60.483	59.797
	1.5	62.000	61.026	61.238	60.376	60.676	61.968	61.732	60.994	60.834	60.344
64	6	64.000	60.103	60.478	57.505	58.305	63.920	63.320	60.023	59.473	57.425
	4	64.000	61.402	61.717	59.670	60.270	63.940	63.465	61.342	61.106	59.610
	3	64.000	62.051	62.331	60.752	61.252	63.952	63.577	62.003	61.791	60.704
	2	64.000	62.701	62.937	61.835	62.210	63.962	63.682	62.663	62.483	61.797
	1.5	64.000	63.026	63.238	62.376	62.676	63.968	63.732	62.994	62.834	62.344
65	4	65.000	62.402	62.717	60.670	61.270	64.940	64.465	62.342	62.106	60.610
	3	65.000	63.051	63.331	61.752	62.252	64.952	64.577	63.003	62.791	61.704
	2	65.000	63.701	63.937	62.835	63.210	64.962	64.682	63.663	63.483	62.797
	1.5	65.000	64.026	64.238	66.376	63.676	64.968	64.732	63.994	66.834	63.344
68	6	68.000	64.103	64.478	61.505	62.305	67.920	67.320	64.023	63.743	61.425
	4	68.000	65.402	65.717	63.670	64.270	67.940	67.465	65.342	65.106	63.610
	3	68.000	66.051	66.331	64.752	65.252	67.952	67.577	66.003	65.791	64.704
	2	68.000	66.701	66.937	65.835	66.210	67.962	67.682	66.663	66.483	65.797
	1.5	68.000	67.026	67.238	66.376	66.676	67.968	67.732	66.994	66.834	66.344
70	6	70.000	66.103	66.478	63.505	64.305	69.920	69.320	66.023	65.743	63.425
	4	70.000	67.402	67.717	65.670	66.270	69.940	69.465	67.342	67.106	65.610
	3	70.000	68.051	68.331	66.752	67.252	69.952	69.577	68.003	67.791	66.704
	2	70.000	68.701	68.937	67.835	68.210	69.962	69.682	68.663	68.483	67.797
	1.5	70.000	68.026	69.238	68.376	68.676	69.968	69.732	68.994	68.834	68.344
72	6	72.000	68.103	68.478	65.505	66.305	71.920	71.320	68.023	67.743	65.425
	4	72.000	69.402	69.717	67.670	68.270	71.940	71.465	69.342	69.106	67.610
	3	72.000	70.051	70.331	68.752	69.252	71.952	71.577	70.003	69.791	68.704
	2	72.000	70.701	70.937	69.835	70.210	71.962	71.682	70.663	70.483	69.797
	1.5	72.000	71.026	71.238	70.376	70.676	71.968	71.732	70.994	70.834	70.344
75	4	75.000	72.402	72.717	70.670	71.270	74.940	74.465	72.342	72.106	70.610
	3	75.000	73.051	73.331	71.752	72.252	74.952	74.577	73.003	72.791	71.704
	2	75.000	73.701	73.937	72.835	73.210	74.962	74.682	73.663	73.483	72.797
	1.5	75.000	74.026	74.238	73.376	73.676	74.968	74.732	73.994	73.834	73.344
76	6	76.000	72.103	72.478	69.505	70.305	75.920	75.320	72.023	71.743	69.425
	4	76.000	73.402	73.717	71.670	72.270	75.940	75.465	73.342	73.106	71.610
	3	76.000	74.051	74.331	72.752	73.252	75.952	75.577	74.003	73.791	72.704
	2	76.000	74.701	74.997	73.835	74.210	75.962	75.682	74.663	74.483	73.797
	1.5	76.000	75.026	75.238	74.376	74.676	75.968	75.732	74.994	74.834	74.344
78	2	78.000	76.701	76.937	75.835	76.210	77.962	77.682	76.663	76.483	75.797

Note : All Dimensions are in MM		INTERNAL THREADS 6H					EXTERNAL THREADS 6g					
NORMAL Ø	PITCH P	MAJOR Ø D MIN	PITCH Ø D2		MINOR Ø D1		MAJOR Ø d		PITCH Ø d2		MINOR Ø d1	
			MIN	MAX	MIN	MAX	MAX	MIN	MAX	MIN	MIN	MAX
80	6	80.000	76.103	76.478	73.505	74.305	79.920	79.320	76.023	75.743	73.425	
	4	80.000	77.402	77.717	75.670	76.270	79.940	79.465	77.342	77.106	75.610	
	3	80.000	78.051	78.331	76.752	77.252	79.952	79.577	78.003	77.791	76.704	
	2	80.000	78.701	78.937	77.835	78.210	79.962	79.682	78.663	78.483	77.797	
	1.2	80.000	79.026	79.238	78.376	78.676	79.968	79.732	78.994	78.834	78.344	
82	2	82.000	80.701	80.937	79.835	80.210	81.962	81.682	80.663	80.483	79.797	
85	6	85.000	81.103	81.478	78.505	79.305	84.920	84.320	81.023	80.743	78.425	
	4	85.000	82.402	82.717	80.670	81.270	84.940	84.465	82.342	82.106	80.610	
	3	85.000	83.051	83.331	81.752	82.252	84.952	84.577	83.003	82.791	81.704	
	2	85.000	83.701	83.937	82.835	83.210	84.962	84.682	83.663	83.483	82.797	
90	6	90.000	86.103	86.478	83.505	84.305	89.920	89.320	86.023	85.743	83.425	
	2	90.000	87.402	87.717	85.670	86.270	89.940	89.465	87.342	87.106	85.610	
	3	90.000	88.051	88.331	86.752	87.252	89.952	89.577	88.003	87.791	86.704	
	2	90.000	88.701	88.937	87.835	88.210	89.962	89.682	88.663	88.483	87.797	
95	6	95.000	91.103	91.503	88.505	89.305	94.920	94.320	91.023	90.723	88.425	
	4	95.000	92.402	92.737	90.670	91.270	94.940	94.465	92.342	92.092	90.610	
	3	95.000	93.051	93.351	91.752	92.252	94.952	94.577	93.003	92.779	91.704	
	2	95.000	93.701	93.951	92.835	93.210	94.962	94.682	93.663	93.473	92.797	
100	6	100.000	96.103	96.503	93.505	94.305	99.920	99.320	96.023	95.723	93.425	
	4	100.000	97.402	97.737	95.670	96.270	99.940	99.465	97.342	97.092	95.610	
	3	100.000	98.051	98.351	96.752	97.252	99.952	99.577	98.003	97.779	96.704	
	2	100.000	98.701	98.951	97.835	98.210	99.962	99.682	98.663	98.473	97.797	

ISO Metric Thread Profile



This document is not for public distribution and has been furnished to you solely for your information and must not be reproduced or redistributed partially or fully. We have taken care to ensure correctness of this document, but the accuracy can not be legally guaranteed. The user of this document should rely on their own information before taking decision.

* Protected by Copy right *